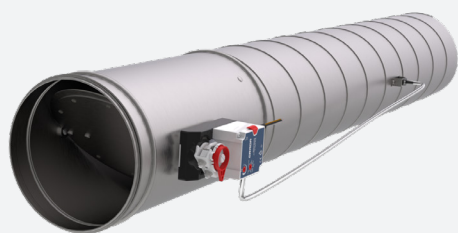


PR

ROUND VARIABLE PRESSURE CONTROLLER



VARIANTS

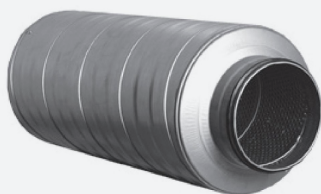
PRS, PRD

Galvanized round pressure control damper supplied with an electronic actuator and plastic static pressure measuring probe. Actuators available in multiple control modes, for example analogue control 0(2)-10V, Modbus & BACnet. The damper is used for regulating constant or variable static pressure in supply or exhaust ducts. The low resistance damper blade is equipped with an airtight gasket and maintenance free bearings. The casing airtightness meets class C according EN1751, damper blade air leakage meets class 2 according EN1751. Available without (PRS) and with (PRD) insulation. External sound attenuators available as an option.

Casing air tightness meets class C according EN1751

Available analogue control 0(2)-10VDC, Modbus & BACnet

ACCESSORIES



URSIL



TECHNICAL INFORMATION

APPLICATION	Type	Duct pressure control, supply & exhaust
CONSTRUCTION	Shape	Round
	Measuring	Plastic measuring probe, static pressure
	Min. diameter	Ø100
	Max. diameter	Ø630
	Spigot	Clamped-in double lip gasket, F-type
	Spigot length	Length conform EN1506
MATERIAL	Housing	Galvanised (275g/m ²) sheet steel
	Damper	Galvanised (275g/m ²) sheet steel with rubber gasket
	Insulation (PRD)	Mineral wool 50mm
PERFORMANCE	Air tightness housing	Class C - EN1751
	Air tightness blades	Class 2 - EN1751
	Min. pressure (Pmin)	25Pa (Gruner) 25Pa (Belimo)
	Max. pressure (Pmax)	300Pa (Gruner) 500Pa (Belimo)
GRUNER ACTUATOR	Standard actuator	G-03: 227PM-024-05/GRA
	Input signal	0-10V, 2-10V (standard)
	Output signal	0-10V, 2-10V (standard)
	Operating voltage	24 VAC/DC +/- 20%
	Pressure sensor	Dynamic 0-300Pa
BELIMO ACTUATOR	Standard actuator	BM03: LMV-D3-BAC + LM24A-VST
	Input signal	0-10V, 2-10V (standard), Modbus & BACnet
	Output signal	0-10V, 2-10V (standard), Modbus & BACnet
	Operating voltage	24 VAC/DC +/- 20%
	Pressure sensor	Dynamic 0-500Pa

PRODUCT KEY

ROUND VARIABLE PRESSURE CONTROLLER

P	R	S	0	0	G-03	0	3	1	5
---	---	---	---	---	------	---	---	---	---

Nominal Diameter (mm):
100, 125, 160, 200, 250, 315,
355, 400, 500, 630

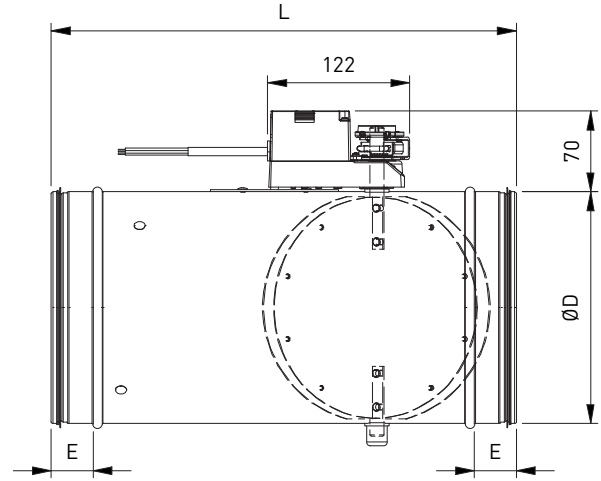
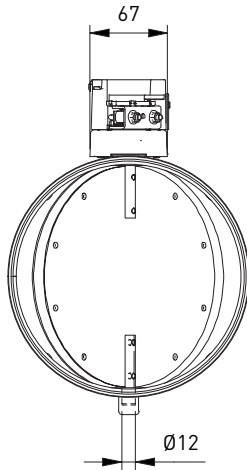
G-03: Gruner 227PM-024-05/GRA - pressure controller - 5Nm
 G-04: Gruner 227PM-024-10/GRA - pressure controller - 10Nm
 GM03: Gruner 227PM-024-05-MB - pressure controller - 5Nm - MODBUS
 GM04: Gruner 227PM-024-10-MB - pressure controller - 10Nm - MODBUS
 BM03: Belimo VRU-D3-BAC + LM24A-VST - pressure controller - 5Nm - MODBUS / BACNET
 BM04: Belimo VRU-D3-BAC + NM24A-VST - pressure controller - 10Nm - MODBUS / BACNET

S: Single-walled round pressure controller
 D: Double-walled round pressure controller

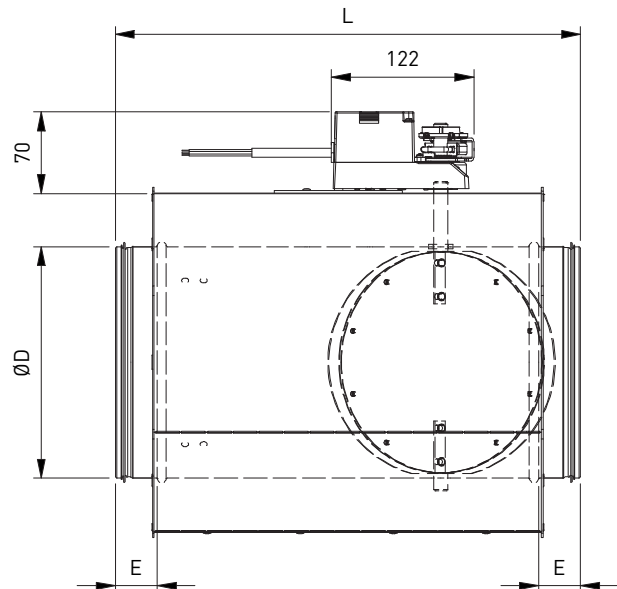
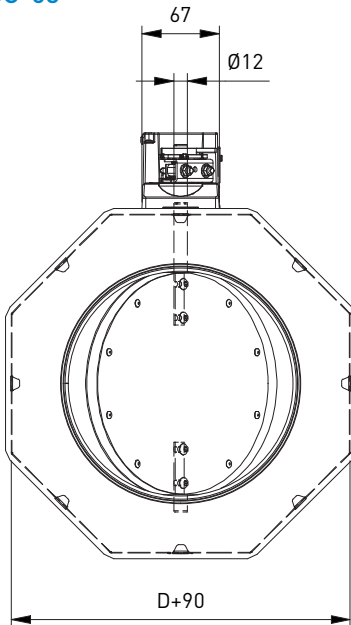
Notes:

Motors with torque 10Nm not available for pressure controllers with nominal diameter ≤ 400
 Motors with torque 5Nm not available for pressure controllers with nominal diameter > 400

PRS00G-03



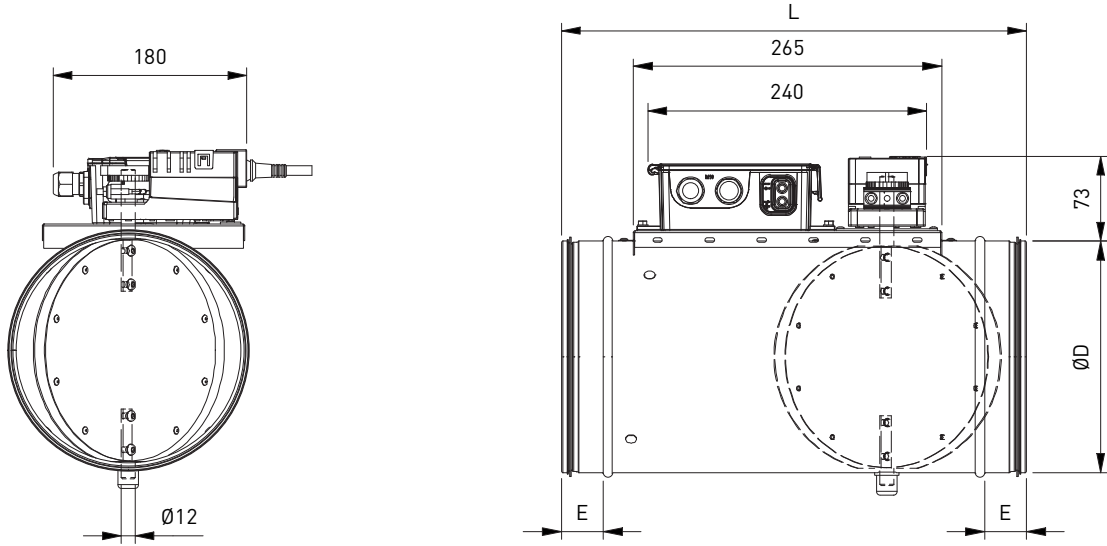
PRD00G-03



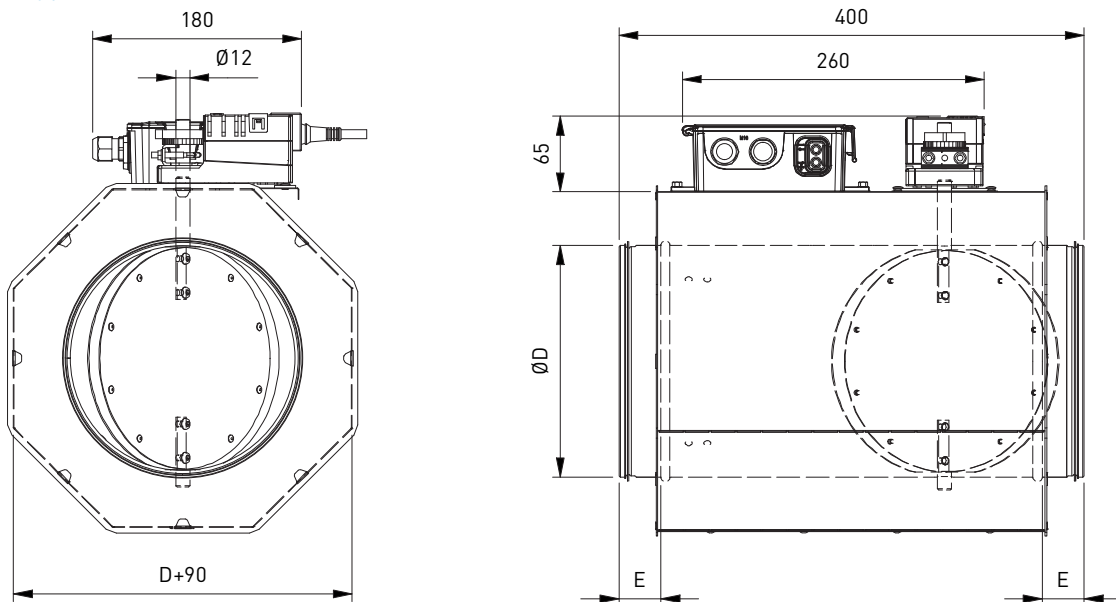
DIMENSIONS

ØD	L	E
100	400	36
125	400	36
160	400	36
200	400	36
250	625	56
315	625	56
355	625	56
400	635	74
500	833	71
630	837	71

All dimensions in mm



PRD00BM03

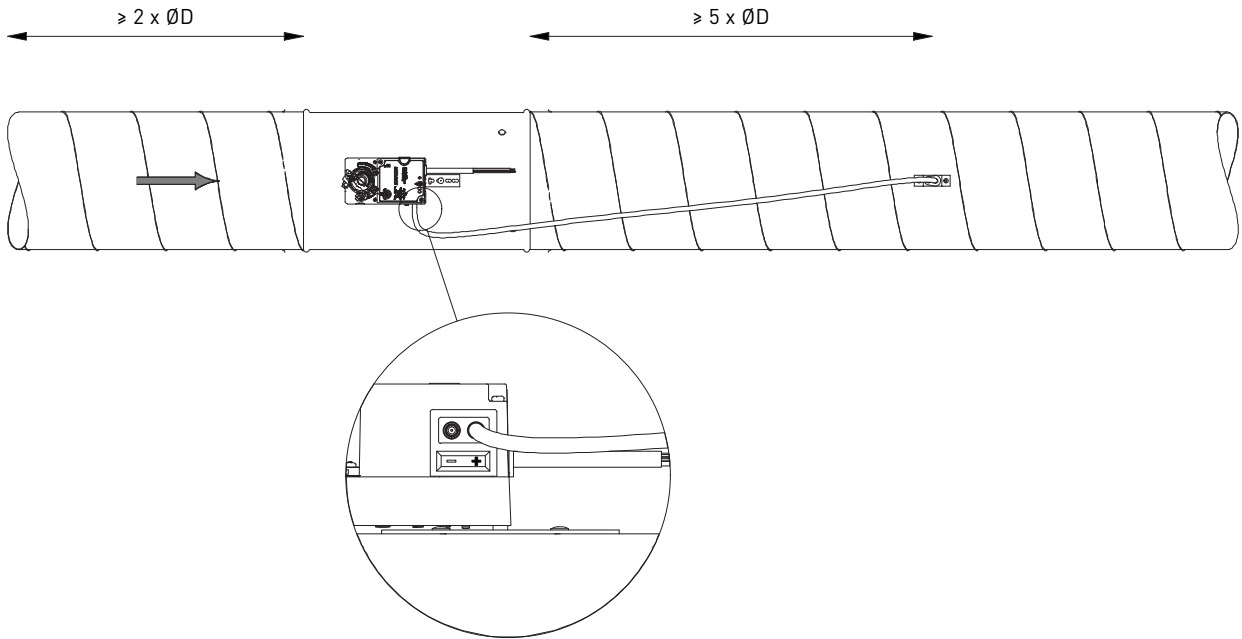


DIMENSIONS

ØD	L	E
100	400	36
125	400	36
160	400	36
200	400	36
250	625	56
315	625	56
355	625	56
400	635	74
500	833	71
630	837	71

All dimensions in mm

SUPPLY



EXHAUST

