

PS

RECTANGULAR VARIABLE PRESSURE CONTROLLER



VARIANTS

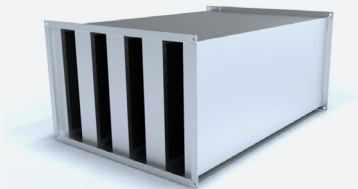
PSS, PSD

Galvanised rectangular pressure control damper supplied with an electronic actuator and plastic static pressure measuring probe. Actuators available in multiple control modes, for example analogue control 0(2)-10V, Modbus & BACnet. The damper is used for regulating constant or variable static pressure in supply or extraction ducts. The aluminium counter rotating damper blades are equipped with an airtight gaskets and maintenance free bearings. The casing airtightness meets class C according EN1751, damper blade air leakage meets class 2 according EN1751. Available without (PSS) and with (PSD) insulation. External sound attenuators available as an option.

Casing air tightness meets class C according EN1751

Available analogue control 0(2)-10VDC, Modbus & BACnet

ACCESSORIES



USSIL



TECHNICAL INFORMATION

APPLICATION	Type	Duct pressure control, supply & exhaust
CONSTRUCTION	Shape	Rectangular
	Measuring	Plastic measuring probe, static pressure
	Length	300mm
	Min. width	150mm
	Max. width	1200mm
	Available steps in width	50mm
	Min. height	150mm
	Max. height	1200mm
	Available steps in height	50mm
MATERIAL	Frame size	20mm, 30mm (standard)
	Housing	Galvanised (275g/m ²) sheet steel
	Blades	Aluminium extruded blades with strip gasket
	Insulation (PSD)	Mineral wool 25mm
PERFORMANCE	Air tightness housing	Class C - EN1751
	Air tightness blades	Class 2 - EN1751
	Min. pressure (Pmin)	25Pa (Gruner) 25Pa (Belimo)
	Max. pressure (Pmax)	300Pa (Gruner) 500Pa (Belimo)
GRUNER ACTUATOR	Standard actuator	G-03: 227PM-024-05/GRA
	Input signal	0-10V, 2-10V (standard)
	Output signal	0-10V, 2-10V (standard)
	Operating voltage	24 VAC/DC +/- 20%
	Pressure sensor	Dynamic 0-300Pa
BELIMO ACTUATOR	Standard actuator	BM03: LMV-D3-BAC + LM24A-VST
	Input signal	0-10V, 2-10V (standard), Modbus & BACnet
	Output signal	0-10V, 2-10V (standard), Modbus & BACnet
	Operating voltage	24 VAC/DC +/- 20%
	Pressure sensor	Dynamic 0-500Pa

PRODUCT KEY

RECTANGULAR VARIABLE PRESSURE CONTROLLER

P	S	S	3	2	-	-	G-03	0	6	0	0	0	3	0	0
---	---	---	---	---	---	---	------	---	---	---	---	---	---	---	---

Nomiale width B (mm):
From 150 to 1200mm, per
50mm

Nominal Height H (mm):
From 150 to 1200mm, per
50mm

- G-03: Gruner 227PM-024-05/GRA - Pressure controller - 5Nm
- G-04: Gruner 227PM-024-10/GRA - Pressure controller - 10Nm
- GM03: Gruner 227PM-024-05-MB - Pressure controller - 5Nm - MODBUS
- GM04: Gruner 227PM-024-10-MB - Pressure controller - 10Nm - MODBUS
- BM03: Belimo VRU-D3-BAC + LM24A-VST - Pressure controller - 5Nm - MODBUS / BACNET
- BM04: Belimo VRU-D3-BAC + NM24A-VST - Pressure controller - 10Nm - MODBUS / BACNET

-: Without gearbox protection (standard)
G: Gearbox protection

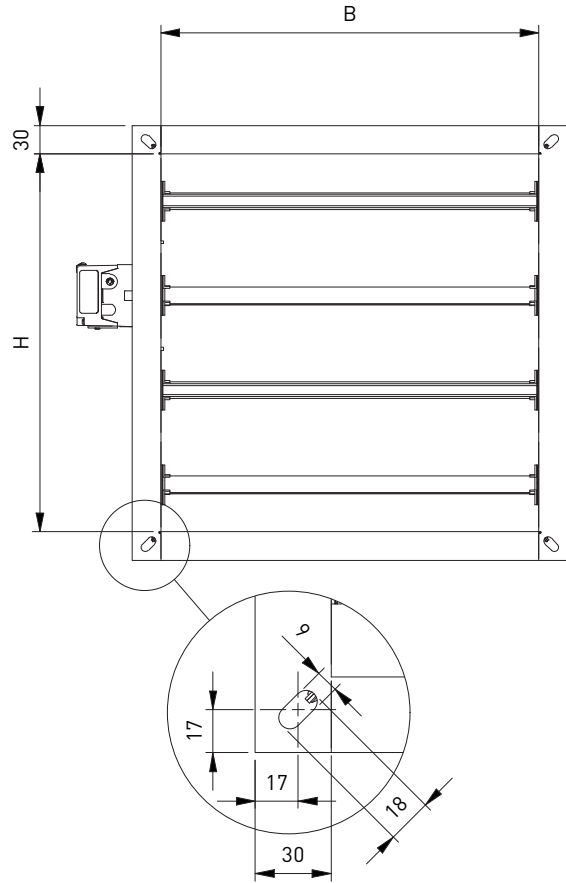
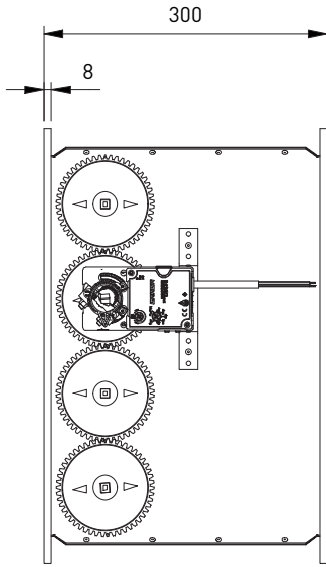
2: Blades Class 2

2: Frame width 20mm
3: Frame width 30mm

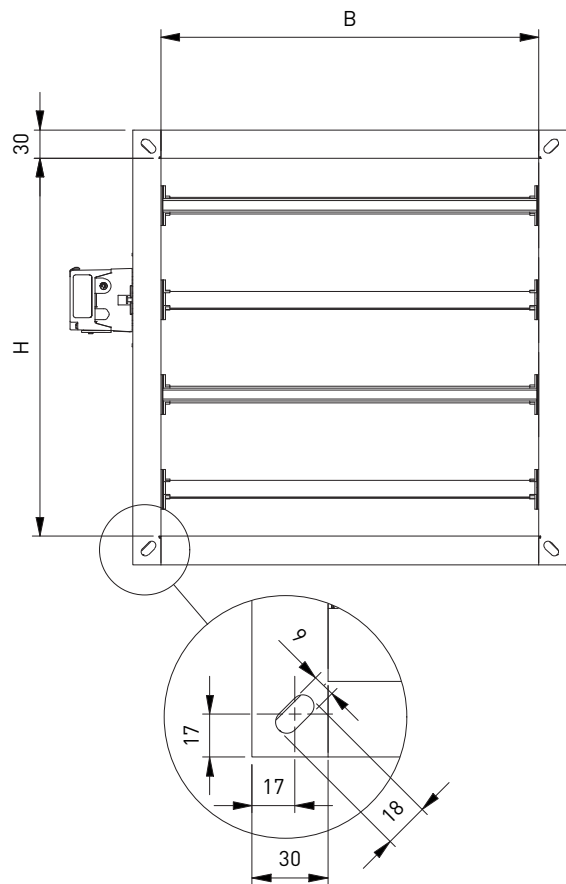
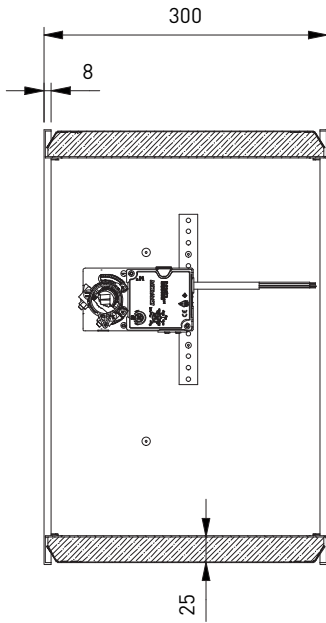
S: Single-walled rectangular pressure controller
D: Double-walled rectangular pressure controller

Notes:
Gearbox protection only available for single-walled
Gearbox protection required for motors BM03 and BM04 (single-walled)

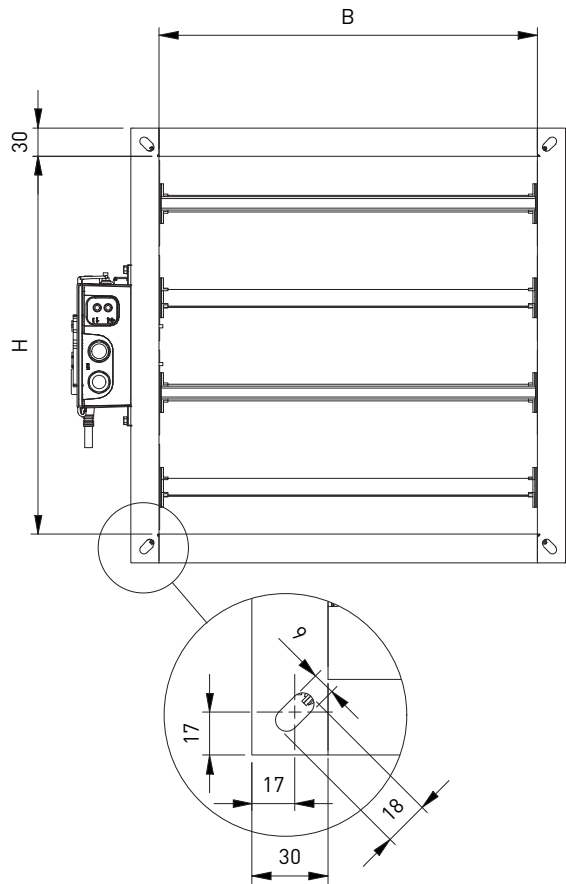
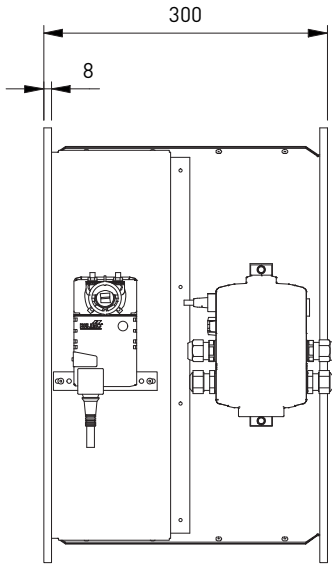
PSS32--G-03



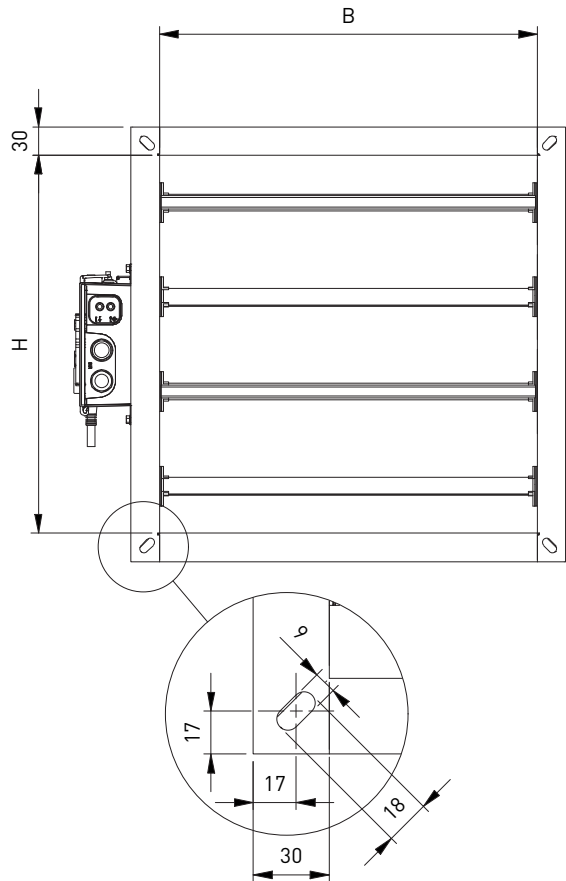
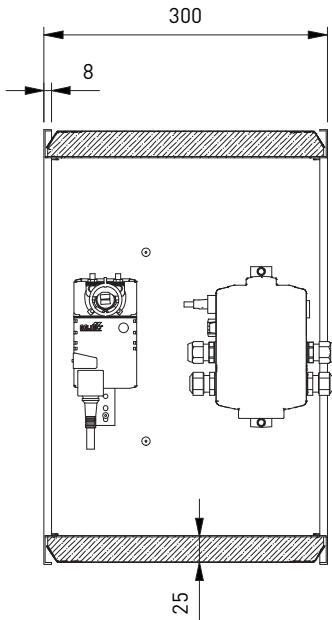
PSD32--G-03



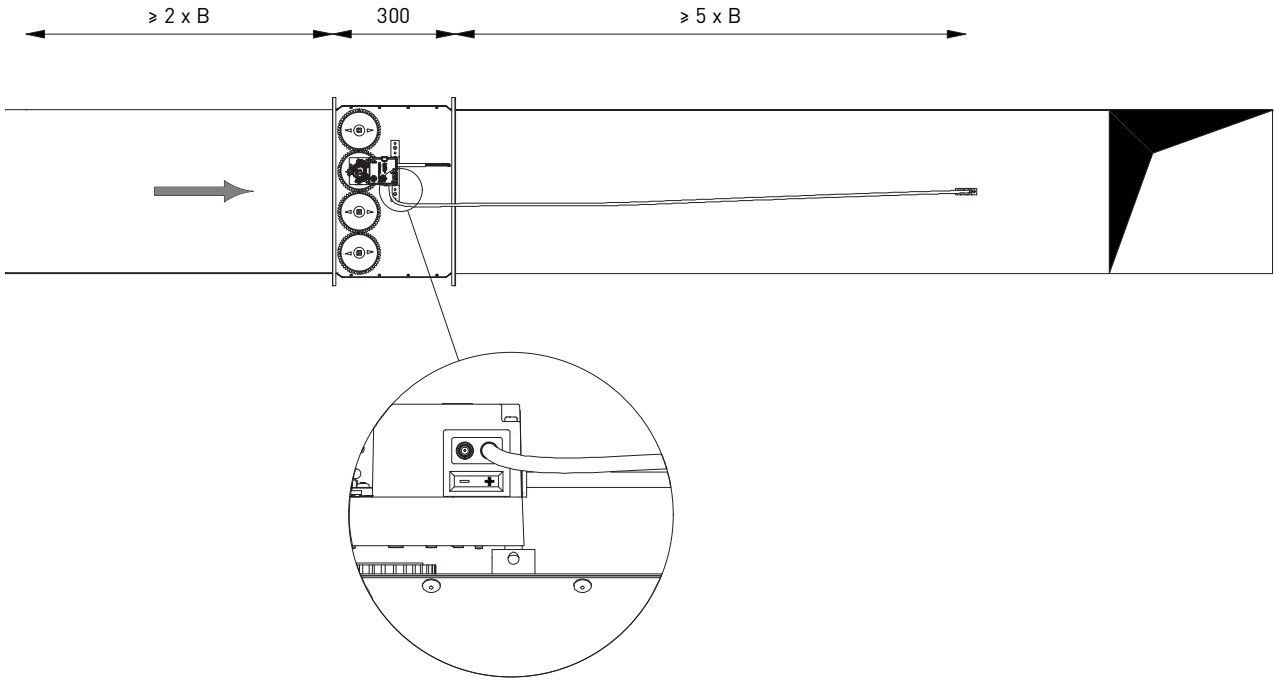
PSS32--GBM03



PSD32--GBM03



SUPPLY



EXHAUST

