

PVS

RECTANGULAR VARIABLE PRESSURE CONTROLLER WITH AIRFLOW MEASUREMENT



VARIANTS

PVSS, PVSD

Galvanised rectangular pressure control damper with airflow measurement, equipped with an electronic actuator and plastic static pressure measuring probe. Additionally, it is equipped with a specific aluminium differential pressure sensor and measuring transmitter to measure the actual airflow rate. The damper is used to regulate constant or variable static pressure in supply or extraction ducts. The actuator and measurement transmitter are equipped with hybrid control as standard: analogue 0(2)-10VDC and/or Modbus. The aluminium counter-rotating damper blades are equipped with airtight gaskets and maintenance-free bearings. The casing airtightness meets class C according to EN1751, and damper blade air leakage meets class 2 according to EN1751. Available without insulation (PVSS) and with insulation (PVSD). External rectangular splitter silencers are available as an option.

Grada-Gruner 327VM actuator with integrated display/control and hybrid control 0(2)-10VDC and/or Modbus

Casing airtightness meets class C according to EN1751

ACCESSORIES



USSIL



TECHNICAL INFORMATION

| | | |
|------------------------|---|---|
| APPLICATION | Type | Duct pressure control, supply & exhaust + airflow measurement |
| CONSTRUCTION | Shape | Rectangular |
| | Measuring pressure | Plastic measuring probe, static pressure |
| | Measuring airflow | non-polluting aluminium differential pressure sensor |
| | Length | 400mm |
| | Min. width | 150mm |
| | Max. width | 1200mm |
| | Available steps in width | 50mm |
| | Min. height | 150mm |
| | Max. height | 1200mm |
| MATERIAL | Housing | Galvanised (275g/m ²) steel sheet |
| | Blades | Aluminium extruded blades with strip gasket |
| | Insulation (PVSD) | Mineral wool 25mm |
| PERFORMANCE | Air tightness housing | Class C - EN1751 |
| | Air tightness blades | Class 2 - EN1751 |
| | Min. pressure (Pmin) | 25Pa |
| | Max. pressure (Pmax) | 300Pa |
| | Min. air velocity (airflow measurement) | 1,0m/s |
| GRUNER ACTUATOR | Standard actuator | GM05: 327VM-024-05-MB/GRA + GT-VM-DD3-MB |
| | Input signal | 0-10V, 2-10V (standard), Modbus |
| | Output signal | 0-10V, 2-10V (standard), Modbus |
| | Operating voltage | 24 VAC/DC +/- 20% |
| | Pressure sensor | Dynamic 0-500Pa |

PRODUCT KEY

RECTANGULAR VARIABLE PRESSURE CONTROLLER WITH AIRFLOW MEASUREMENT

| | | | | | | | | | | | | | | | | |
|---|---|---|---|---|---|---|---|------|---|---|---|---|---|---|---|---|
| P | V | S | S | 3 | 2 | - | - | GM05 | 0 | 4 | 0 | 0 | 0 | 4 | 0 | 0 |
|---|---|---|---|---|---|---|---|------|---|---|---|---|---|---|---|---|

Nominale width B (mm):
From 150 to 1200mm, per 50mm

Nominal height H (mm):
From 150 to 1200mm, per 50mm

GM05: Gruner 327VM-024-05-MB/GRA + GT-VM-DD3-MB - 5Nm - 0(2)-10VDC / Modbus
 GM06: Gruner 327VM-024-10-MB/GRA + GT-VM-DD3-MB - 10Nm - 0(2)-10VDC / Modbus

-: Without gearbox protection (standard)
 G: Gearbox protection

2: Blades Class 2

2: Frame width 20mm
 3: Frame width 30mm

S: Single-walled rectangular pressure controller
 D: Double-walled rectangular pressure controller

Nota's:
 Motors with torque 10Nm are not available for smaller pressure regulators
 Motors with torque 5 Nm are not available for larger pressure regulators
 Gear box protection is not available for double-walled pressure regulators

RECTANGULAR SPLITTER SILENCER

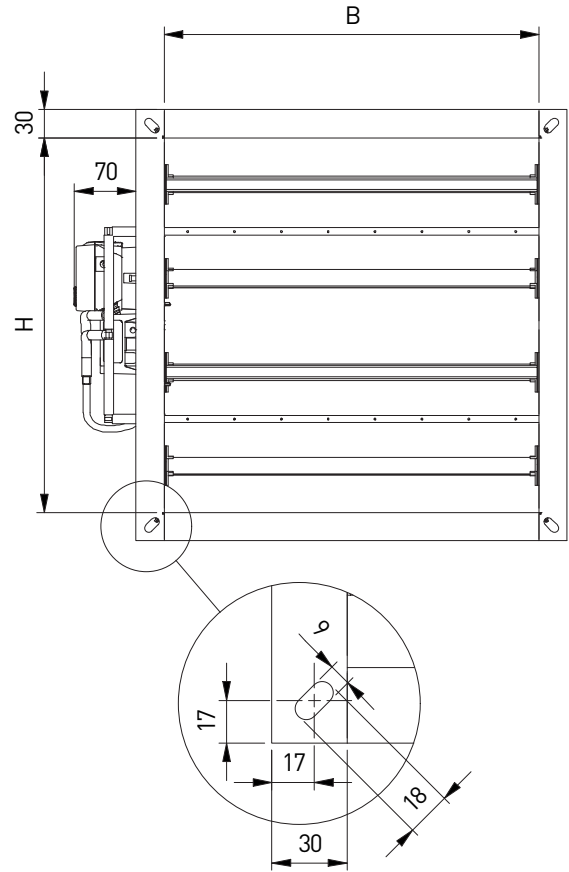
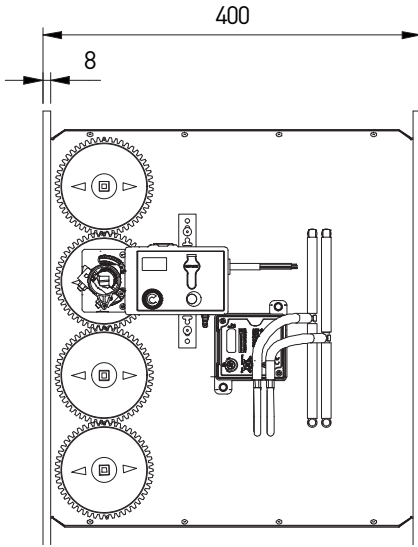
| | | | | | | | | | | | | | | | | |
|---|---|---|---|---|---|---|---|---|---|---|---|---|---|---|---|---|
| U | S | S | I | L | 0 | 4 | 0 | 0 | 0 | 4 | 0 | 0 | 1 | 2 | 0 | 0 |
|---|---|---|---|---|---|---|---|---|---|---|---|---|---|---|---|---|

Nominale width B (mm):
From 200 to 1200mm, per 100mm

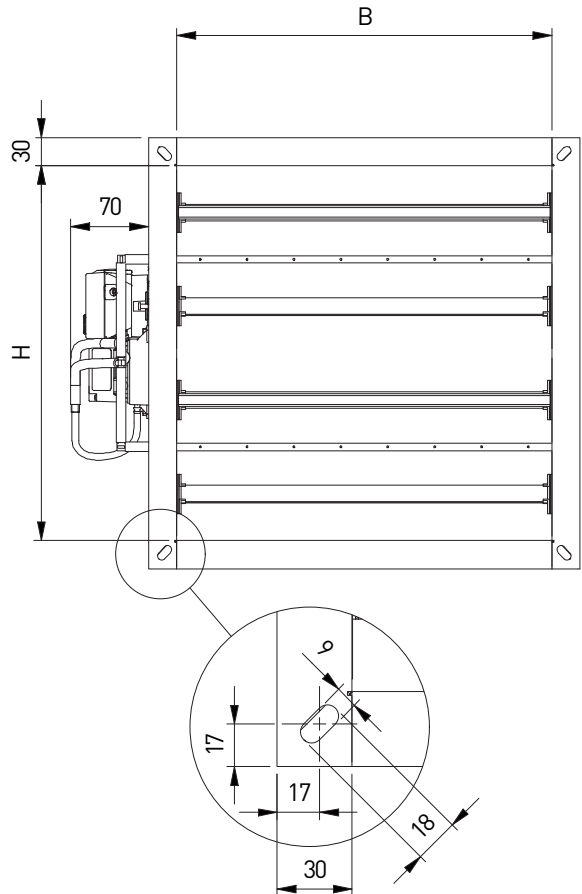
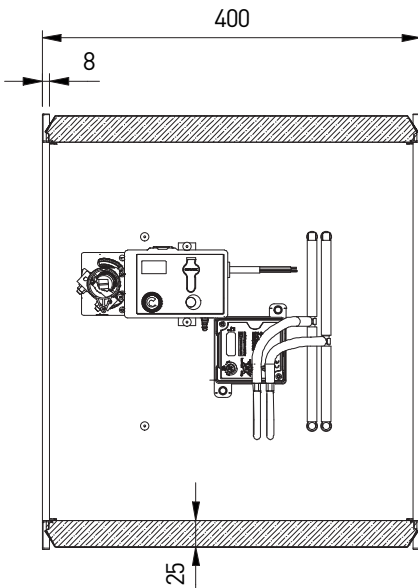
Nominal height H (mm):
From 200 to 600mm, per 50mm
 From 700 to 1200mm, per 100mm

Nominale length L (mm):
1200

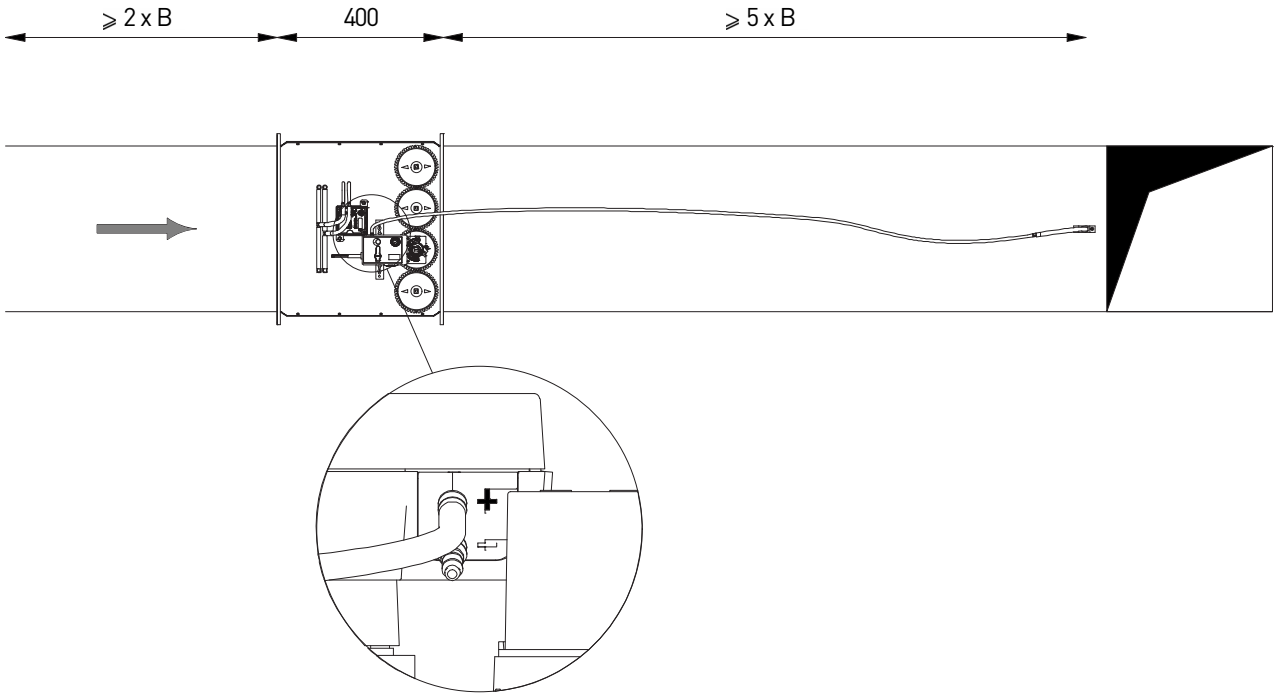
PVSS32--GM05



PVSD32--GM05



SUPPLY



EXHAUST

