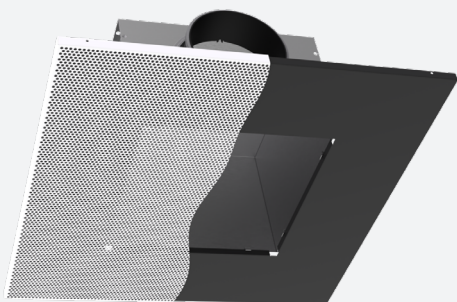
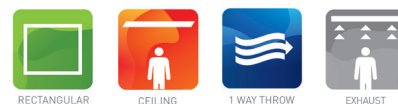


DC570

PERFORATED CEILING DIFFUSER FOR EXHAUST



VARIANTS

DC570_S, DC570_T

The perforated diffuser is used for exhaust and visually identical to the supply type DC560. Specifically designed for installation in modular T-bar ceiling systems.

Visually identical to DC560

Suitable for modular T-bar ceilings

TECHNICAL INFORMATION

APPLICATION	Type	Exhaust
CONSTRUCTIE	Frontplate	Perforations Ø4,5mm, 51% free passage
	Available nominal sizes	Ø125, 160, 200, 250, 315mm
	Available panel sizes	594x594, 619x619mm
MATERIAL	Standard material	Powder coated sheet steel
	Standard finishing	Powder coating RAL9010
	Product finishing options	Powder coating RAL of choice
	Plenum	Galvanised (275g/m ²) sheet steel
	Aansluiting plenum	PP/TPE spigot, Class D spigot with double lip seal
	Optionele isolatie	Melamine 6mm
MOUNTING	Montage opties	Suitable for modular T-bar ceiling system Plenum with side connection with mounting eyes (Ø 7mm), mounting straps available upon request

QUICK SELECTION

Exhaust Q _v [m ³ /h]			
ØN [mm]	L _w	DC570_S	DC570_T
125	25 dB(A)	161	129
	35 dB(A)	227	178
160	25 dB(A)	252	200
	35 dB(A)	364	280
200	25 dB(A)	425	321
	35 dB(A)	612	461
250	25 dB(A)	539	454
	35 dB(A)	825	627
315	25 dB(A)	579	678
	35 dB(A)	1013	1013

PRODUCT KEY

PERFORATED CEILING DIFFUSER WITH PLENUM

D	C	5	7	0	-	F	S	-	-	0	0	3	1	5	0	5	9	4
---	---	---	---	---	---	---	---	---	---	---	---	---	---	---	---	---	---	---

Nominal diameter N (mm):
125, 160, 200, 250, 315

Panel size (mm):
594, 619

0: Sans pattes de fixation
1: Avec pattes de fixation
(Pas compatible avec T, uniquement pour le S)

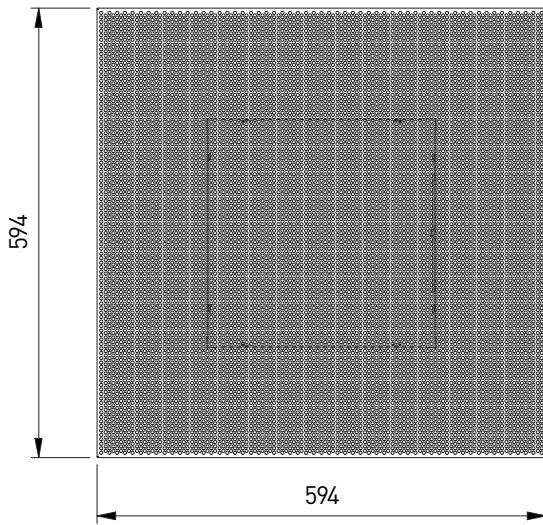
-: Not available with damper

-: Non insulated plenum
G: Insulated plenum

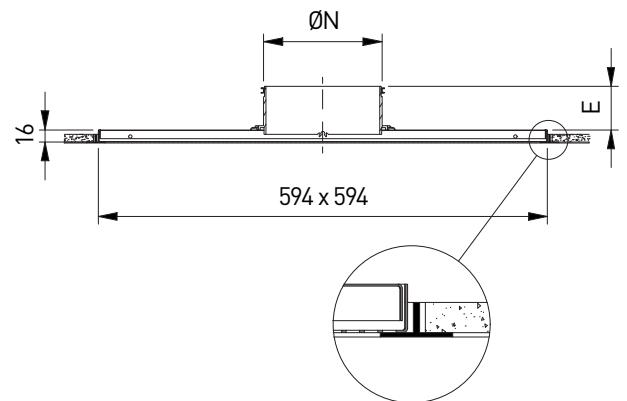
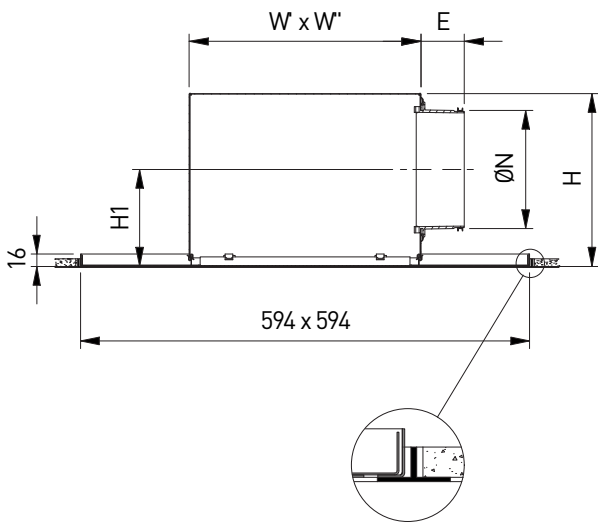
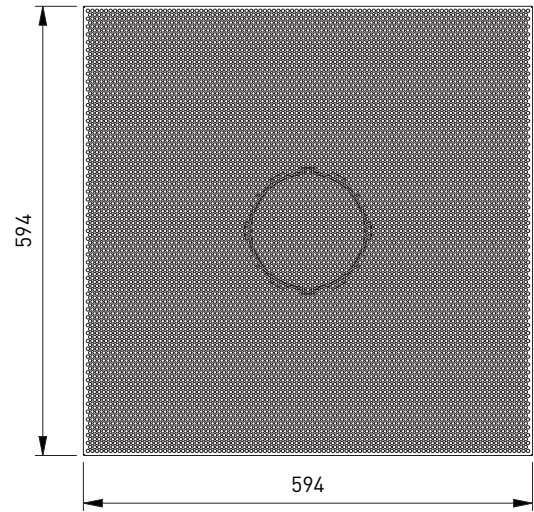
S: Side connection
T: Top connection

F: Coated

DC570_S



DC570_T



DIMENSIONS

ØN	E	H	H1	W'	W''
125	58	185	103	240	266
160	58	220	120	305	331
200	58	260	140	382	408
250	58	308	163	547	573
315	49	368	199	547	573

All dimensions in mm

