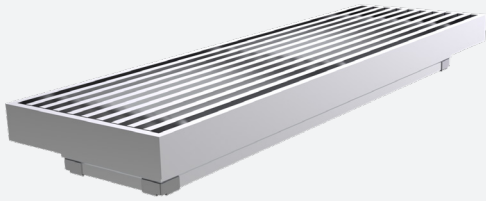


AG300

ALUMINIUM FLOOR GRILLE WITH
REMOVABLE CORE



VARIANTS

AG300, AG320

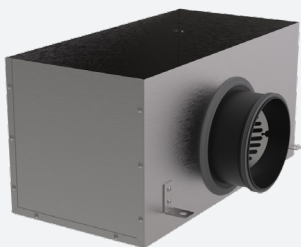
The floor grille type AG300 is suitable for the supply and exhaust of cooled or heated air, with straight bars or with 15° deflection. The grille doesn't have a flange and is flush mounted where a neat aesthetic design is desired. The core is removable and is fixed into the frame with special springs. Available in several lengths but also in multiple middle and end sections to create a linear diffuser up to any length. Execution in aluminium, standard satin anodised finish.

Removable core

Architectural finish, flush mounting
without flange

Available in multiple connectable pieces
for linear appearance

ACCESSORIES



OP100S



TECHNICAL INFORMATION

APPLICATION	Airflow type	Linear, supply or exhaust
	Direction	Vertical, fixed bars
CONSTRUCTION	Center distance between bars	12,5mm
	Depth of flush frame	24mm
	Grille in one piece	AG300-, AG320-
	Min. length	100mm
	Max. length	1500mm
	Available steps in length	1mm
	Min. height	50mm
	Max. height	450mm
	Available steps in height	12,5mm
	Installation depth	46mm
	Grille in multiple pieces	AG300E, AG300M, AG320L, AG320M, AG320R
	Min. length	100mm
	Max. length	1500mm
	Available steps in length	1mm
Min. height	50mm	
Max. height	300mm	
Available steps in height	12,5mm	
Installation depth	46mm	
MATERIAL	Standard material	Anodized aluminium
	Standard finishing	Satin anodized 11µm
	Product finishing options	Powder coating RAL of choice
MOUNTING	Mounting options	Flush

QUICK SELECTION

Supply Q _v [m³/h]		L [mm]							
H [mm]	L _w	200	250	300	400	500	600	800	1000
75	25 dB(A)	69	87	95	128	153	184	243	277
	35 dB(A)	115	145	157	214	255	306	398	454
100	25 dB(A)	95	113	128	171	205	246	322	367
	35 dB(A)	157	187	214	286	341	409	532	606
150	25 dB(A)	-	153	205	229	296	355	444	506
	35 dB(A)	-	255	341	382	494	593	739	843
200	25 dB(A)	-	-	-	324	382	458	561	675
	35 dB(A)	-	-	-	541	636	763	937	1119
250	25 dB(A)	-	-	-	-	442	530	655	747
	35 dB(A)	-	-	-	-	871	1045	1288	1468
300	25 dB(A)	-	-	-	-	561	673	795	949
	35 dB(A)	-	-	-	-	937	1124	1326	1579

PRODUCT KEY

ALUMINIUM FLOOR GRILLE WITH REMOVABLE CORE

A	G	3	0	0	-	-	0	4	0	0	0	1	0	0
---	---	---	---	---	---	---	---	---	---	---	---	---	---	---

Nominal length L (mm):
From 100 to 1500mm, per
1mm

Nominal height H (mm):
From 50 to 450mm, per
12,5mm

-: Naturel anodised
F: Coated

-: Standard
C: Corner piece 0° or 15° deflection inwards (300x300 inner dimension)
D: Corner piece 15° deflection outwards (300x300 inner dimension)
E: End piece (for bars without deflection)
M: Intermediate piece
L: Left end piece (for 15° deflection)
R: Right end piece (for 15° deflection)

0: Without damper
7: With damper GT007
9: With damper GT009

0: Grille with bars deflection 0°, without flow equalizer
1: Grille with bars deflection 0°, with flow equalizer AT310
2: Grille with bars deflection 15°, without flow equalizer
3: Grille with bars deflection 15°, with flow equalizer AT310

Notes:

Damper GT007 only available in standard version

Damper GT009 not available in corner pieces

Damper GT007 only available for length and height in steps of 25mm, and height \geq 75mm

Damper GT009 only available for length \leq 750mm and height = 50, or 62.5mm

Intermediate pieces with damper GT009 have length = 750mm

Corner pieces (C or D) only available in length 300mm

Corner pieces (C or D) only available without damper, without flow equalizer, and painted (available corner pieces AG300CF, AG320CF, AG320DF)

End and intermediate pieces only available up to a height \leq 300mm

PLENUM FOR WALL/FLOOR GRILLES

0	P	1	0	0	-	S	-	-	0	0	3	8	8	0	0	8	8	0	2	0	0	0	2	0	0
---	---	---	---	---	---	---	---	---	---	---	---	---	---	---	---	---	---	---	---	---	---	---	---	---	---

Nominal length L
(mm):
From 88 to 1488mm,
per 1mm

Nominal height H
(mm):
From 38 to 438mm,
per 12,5mm

Nominal depth D
(mm):
From 100 to 650mm,
per 1mm

Nominal diameter
N (mm):
80, 100, 125, 160,
200, 250, 315, 355,
en 400

0: Without mounting straps
1: With mounting straps

- : Without damper
D : With damper

-: Non insulated
G: Insulated

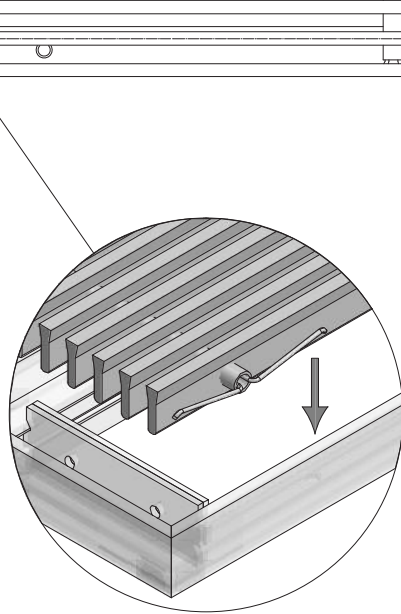
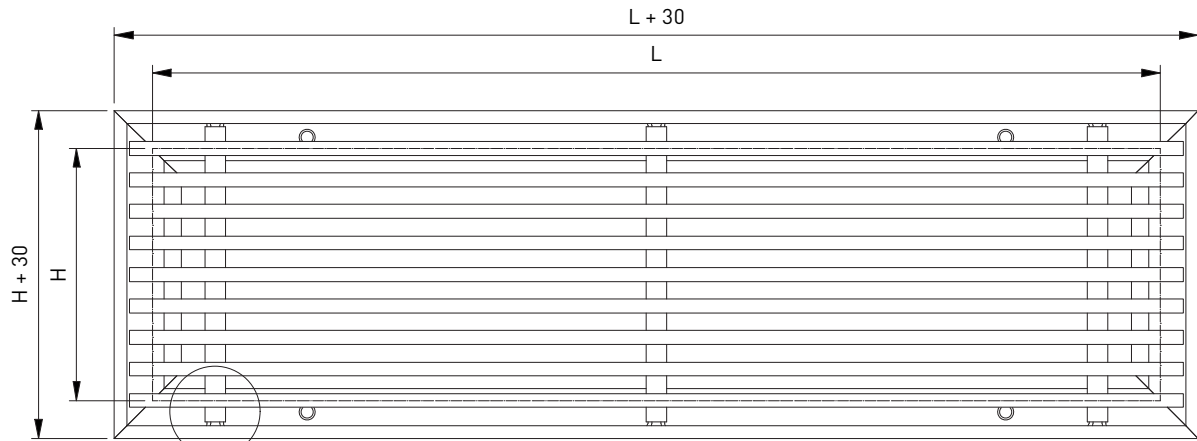
S: Side connection
T: Top connection
A: Asymmetric

0: For mounting of wall grilles in combination with mounting frame GR001

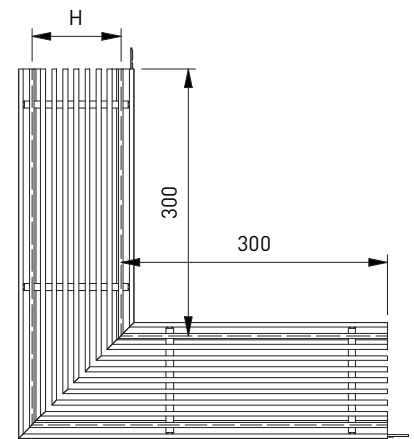
Notes:

L plenum = L grille -12mm

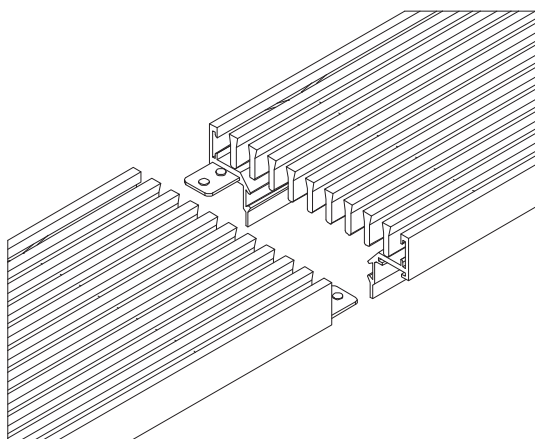
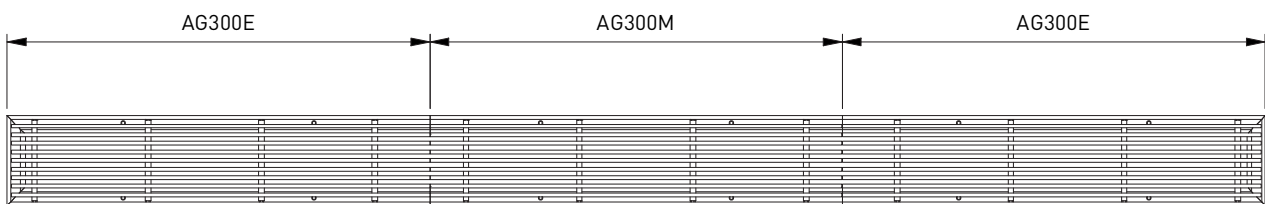
H plenum = H grille -12mm



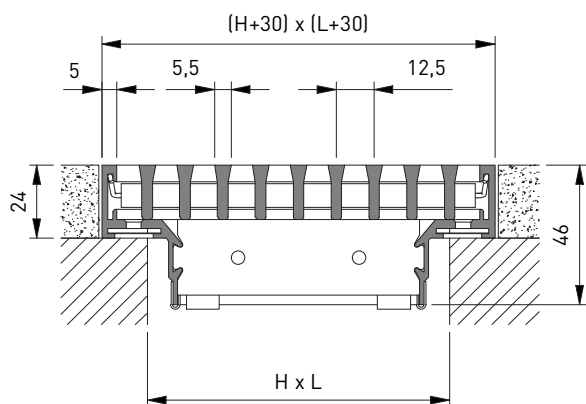
AG300C



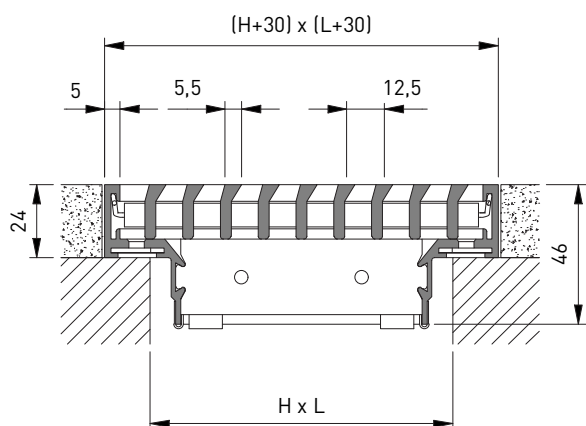
LINEAR: END PIECES AND INTERMEDIATE PIECES



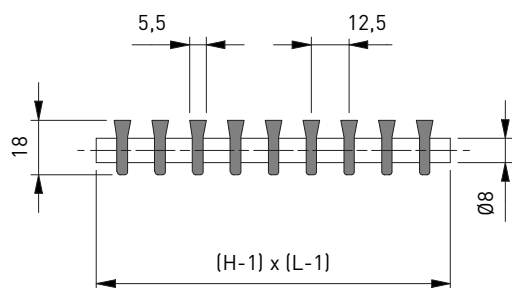
AG300



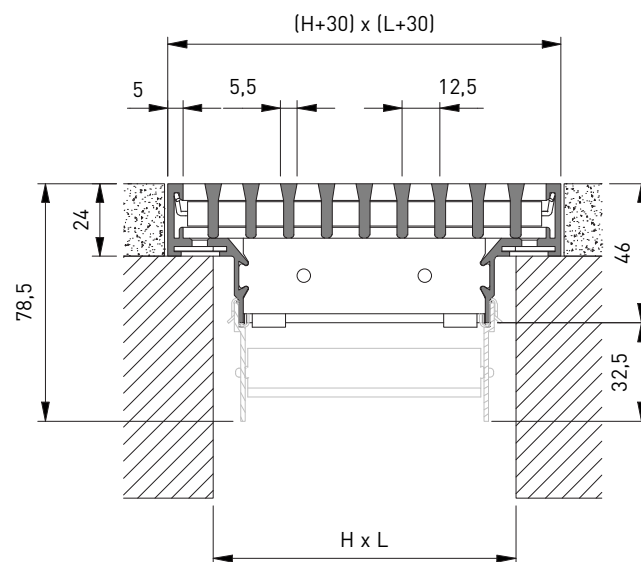
AG320



A0300



AG310



AG307

