

A-170

ALUMINIUM WALL GRILLE WITH FIXED VANES FOR EXHAUST



VARIANTS

A-170

The grille is used for the exhaust of air in facilities such as offices, warehouses, shopping centres, ... The grille can be used for wall, ceiling or exposed duct mounting. Fixed horizontal vanes with 40° deflection. Execution in aluminium, standard satin anodised finish.

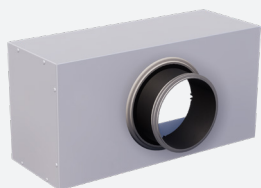
Exhaust grille with fixed horizontal vanes with 40° deflection

Center distance between vanes 16,7mm

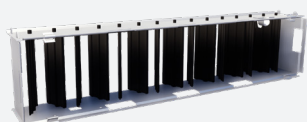
Execution in aluminium, standard satin anodised finish

Easy to install

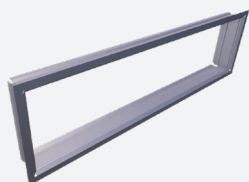
ACCESSORIES



OP100



GT007



GR001

TECHNICAL INFORMATION

APPLICATION	Type	Exhaust
	Direction	Fixed horizontal vanes with 40° deflection
CONSTRUCTION	Center distance between vanes	16,7mm
	Min. length	100mm
	Max. length	1250mm
	Available steps in length	25mm
	Min. height	75mm
	Max. height	900mm
	Available steps in height	25mm
	Installation depth	29mm -> 43mm
MATERIAL	Standard material	Anodized aluminium
	Standard finishing	Satin anodized 11µm
	Product finishing options	Powder coating RAL of choice
MOUNTING	Mounting options	Friction springs, concealed screw fixing, screw fixing

QUICK SELECTION

Exhaust Q _v [m³/h]		L [mm]							
H [mm]	L _w	200	250	300	400	500	600	800	1000
100	25 dB(A)	102	119	157	183	227	-	-	-
	35 dB(A)	135	157	209	244	303	-	-	-
150	25 dB(A)	-	183	227	289	356	406	553	-
	35 dB(A)	-	244	303	388	473	541	731	-
200	25 dB(A)	-	-	-	406	481	553	702	906
	35 dB(A)	-	-	-	541	639	731	935	1204
300	25 dB(A)	-	-	-	-	702	807	1066	1333
	35 dB(A)	-	-	-	-	935	1083	1424	1790

PRODUCT KEY

GRILLE

A	D	1	7	0	-	-	0	6	0	0	0	3	0	0
---	---	---	---	---	---	---	---	---	---	---	---	---	---	---

Nominal length L (mm):
From 100 to 1250mm,
per 25mm

Nominal height H (mm):
From 75 to 900mm,
per 25mm

-: Naturel anodised
F: Coated

0: Grille without damper
7: With damper GT007

- D: Frame width 25mm, friction springs
- E: Frame width 25mm, concealed screw fixing
- F: Frame width 25mm, screw fixing
- M: Frame width 35mm, screw fixing
- N: Frame width 35mm, friction springs
- V: Frame width 35mm, concealed screw fixing
- X: Frame width 25mm, without fixing

- GT007 only available for heights from 100 to 600mm, per 25mm

MOUNTING FRAME

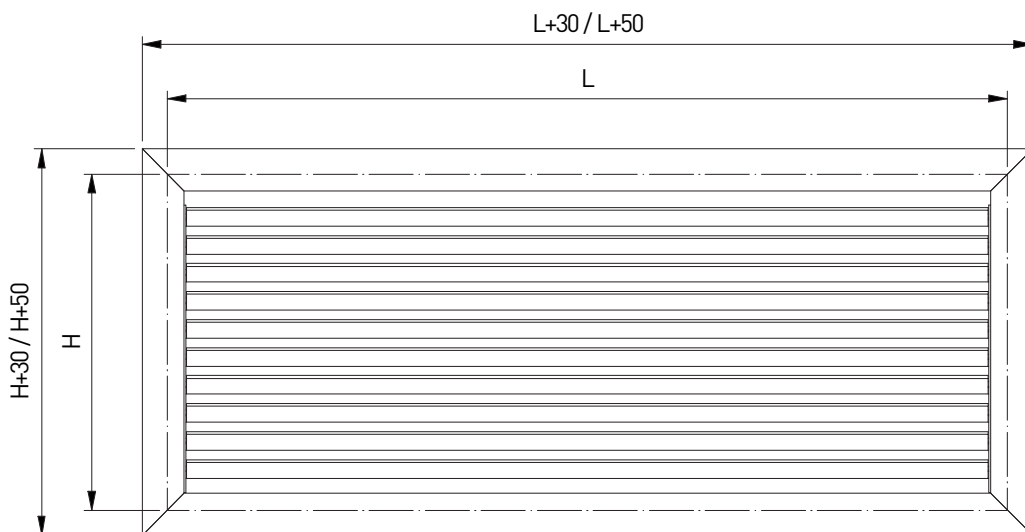
G	R	0	0	1	-	0	6	0	0	0	3	0	0
---	---	---	---	---	---	---	---	---	---	---	---	---	---

Nominal length L (mm):
From 75 to 2000mm, per
1mm

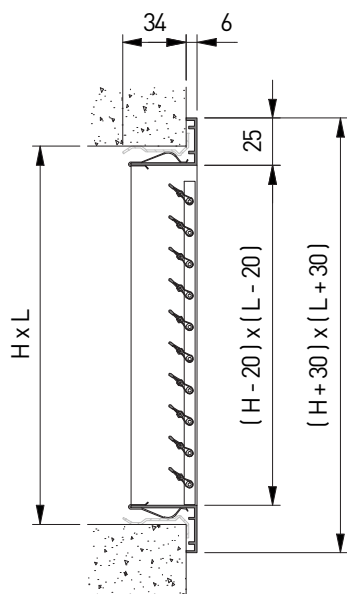
Nominal height H (mm):
From 50 to 2000mm, per
1mm

-: In one piece
E: End piece
M: Intermediate piece

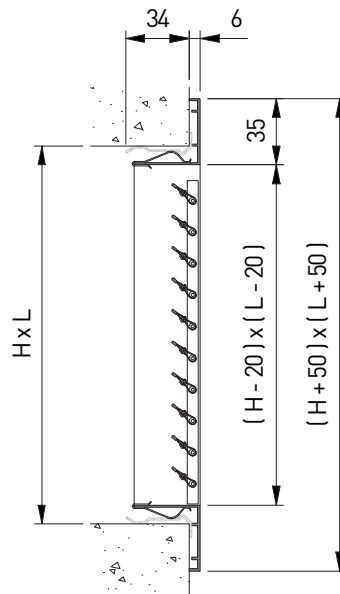
A-170



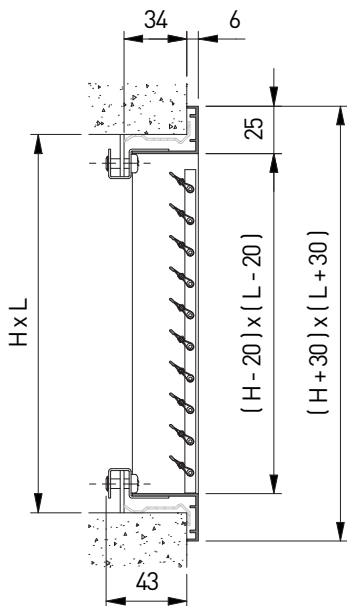
AD170 + GR001



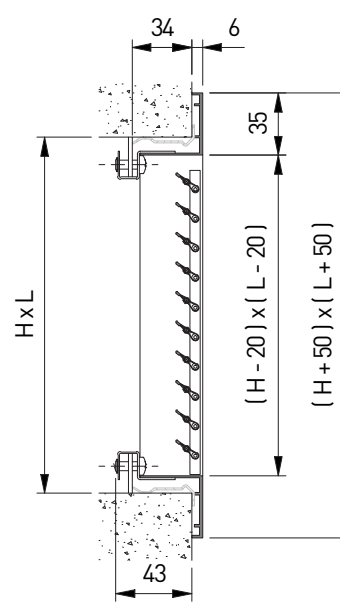
AN170 + GR001



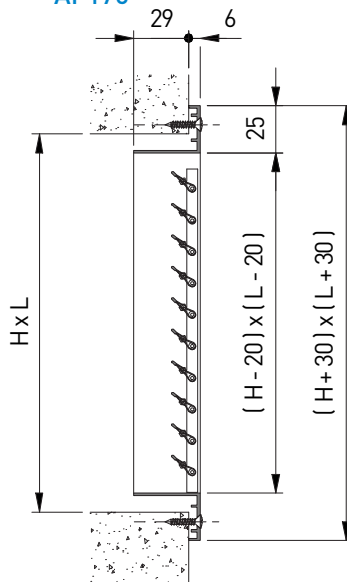
AE170 + GR001



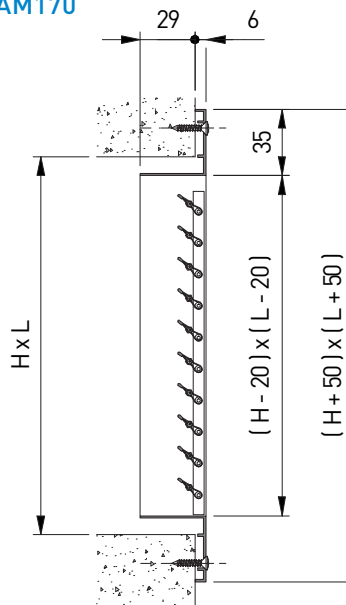
AV170 + GR001



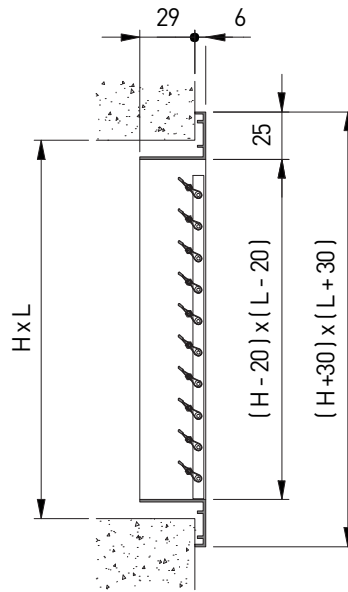
AF170



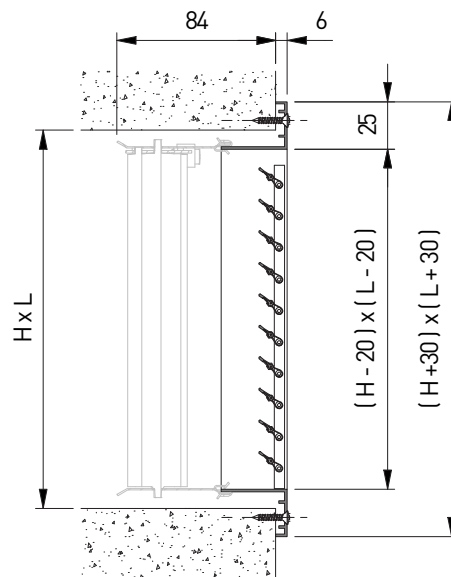
AM170



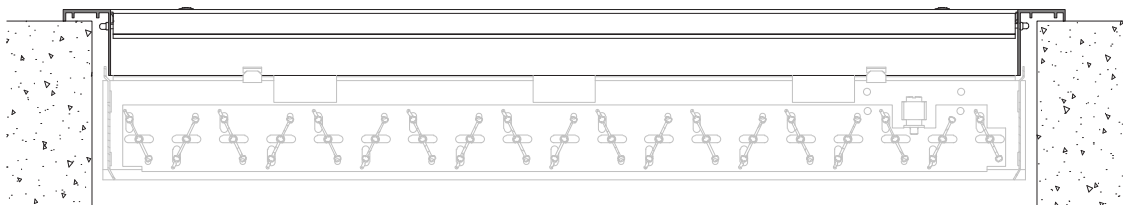
AX170



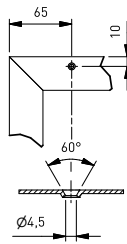
AF177



AF177



SCREW HOLE LOCATION IN THE FRAME



Nom. H	Nom. L 150	525	1025	1500	2000
150					
525					
1000					