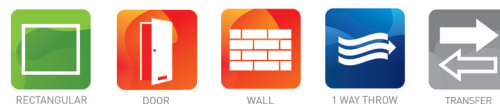


A-980

ALUMINIUM TRANSFER GRILLE



VARIANTS

AF980, AF981, AD980

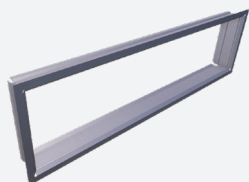
The grille type A-980 is used as a transfer grille in facilities such as offices, hospitals, schools, ... The grille can be used for wall or door mounting and is recommended for the transfer of air from one room to another. The sight-proof design (1 grille) is especially used for dressing rooms, lavatories and laundries. A light-tight grille is obtained by installing 2 grilles back to back and painting them black, especially suited for dark rooms or cinemas. Execution in aluminium, standard satin anodised finish.

Transfer grille with inverted Y-profile (sight-proof)

Used for door thicknesses between 30 and 58mm

Execution in aluminium, standard satin anodised finish

ACCESSORIES



GR001

TECHNICAL INFORMATION

APPLICATION	Type	Transfer
	Direction	Horizontal, inverted Y-profile
CONSTRUCTION	Center distance between vanes	16,7mm
	Min. length	100mm
	Max. length	1000mm
	Available steps in length	25mm
	Min. height	75mm
	Max. height	1000mm
	Available steps in height	25mm
	Installation depth	30mm
MATERIAL	Standard material	Anodized aluminium
	Standard finishing	Satin anodized 11µm
	Product finishing options	Powder coating RAL of choice
MOUNTING	Mounting options	Friction springs, screw fixing, counterframe for door mounting

QUICK SELECTION

Q _v [m³/h]		L [mm]				
H [mm]	L _w	200	300	400	500	600
100	25 dB(A)	42	61	79	97	114
	35 dB(A)	56	81	106	129	152
150	25 dB(A)	61	88	114	140	164
	35 dB(A)	81	118	152	186	219
200	25 dB(A)	79	114	148	180	212
	35 dB(A)	106	152	197	240	282
300	25 dB(A)	114	164	212	258	303
	35 dB(A)	152	219	282	343	403
400	25 dB(A)	148	212	273	332	390
	35 dB(A)	197	282	364	442	520

EFFECTIVE AIR DISCHARGE AREA

Supply A _k [m²]	L [mm]				
H [mm]	200	300	400	500	600
100	0,0050	0.0078	0.0105	0.0132	0,0160
150	0.0078	0.0119	0.0160	0.0201	0.0242
200	0.0105	0.0160	0.0215	0.0269	0.0324
300	0,0160	0.0242	0.0324	0.0406	0.0488
400	0.0215	0.0324	0.0434	0.0543	0.0653

PRODUCT KEY

GRILLE

A	D	9	8	0	-	-	0	6	0	0	0	3	0	0
---	---	---	---	---	---	---	---	---	---	---	---	---	---	---

Nominal length L (mm):
From 100 to 1000mm, per
25mm

Nominal height H (mm):
From 75 to 1000mm, per
25mm

-: Naturel anodised
F: Coated

0: Without counterframe
1: With counterframe (only for AF-grille)

D: Friction springs (in combination with GR001)
F: Screw fixing

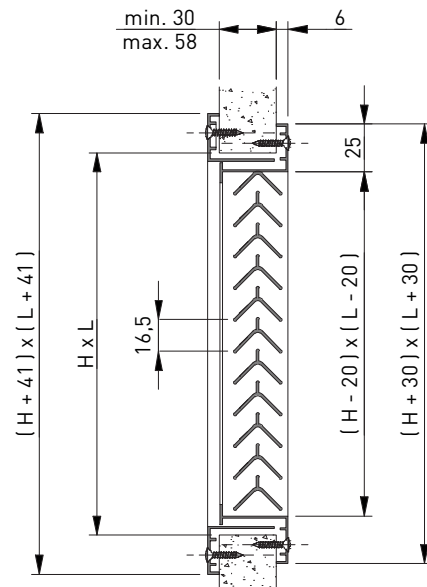
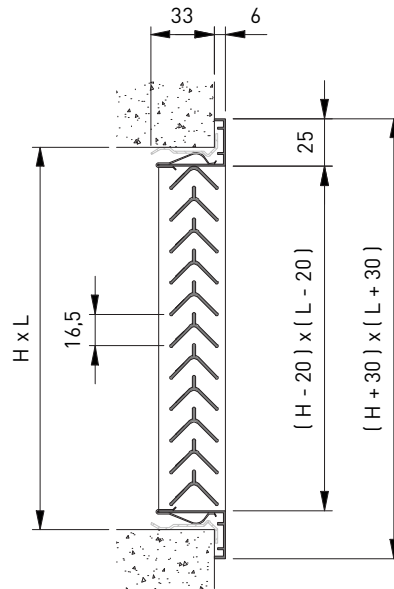
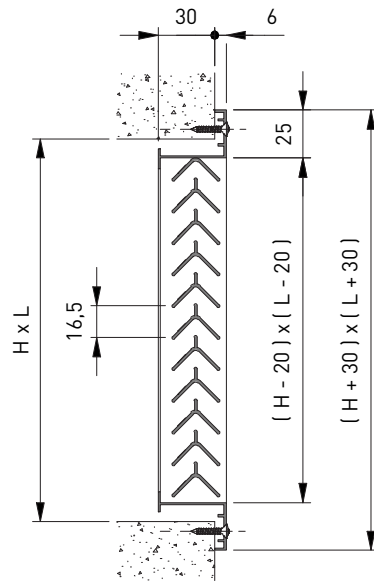
MOUNTING FRAME

G	R	0	0	1	-	0	6	0	0	0	3	0	0
---	---	---	---	---	---	---	---	---	---	---	---	---	---

Nominal length L (mm):
From 75 to 2000mm, per
1mm

Nominal height H (mm):
From 50 to 2000mm, per
1mm

-: In one piece



SCREW HOLE LOCATION IN THE FRAME

