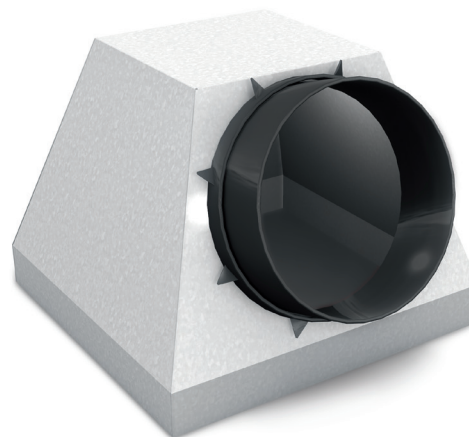


DP100P

PYRAMID PLENUM BOX

The plenum box type DP100P is used for installation with square ceiling diffusers, type EG400. The plenum box is made of galvanised steel plate.

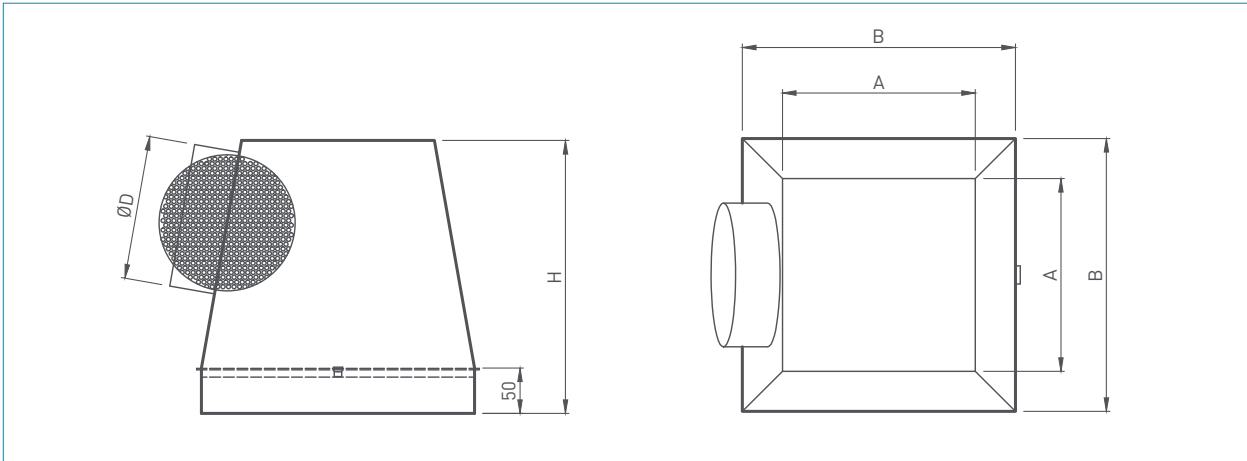
It can be used for fixed mounting or for central screw fixing. The unique shape allows easy economical transport methods.



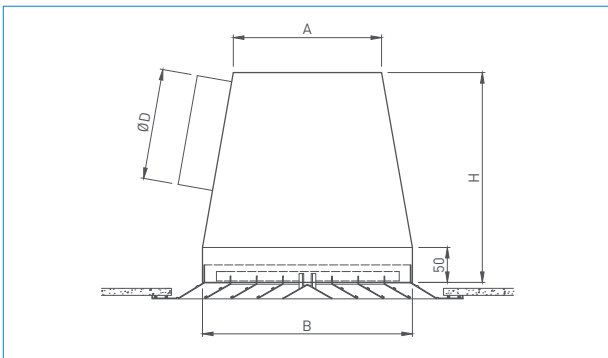
TECHNICAL DETAILS

APPLICATION	Product	DP100P
	Airflow type	Supply or exhaust
CONSTRUCTION	Min. height	200 mm
	Max. height	400 mm
MATERIAL	Frame construction	Bended plate
	Standard material	Steel
	Add-on material	Inlet in PP
	Standard finishing	Galvanised steel
	Add-on finishing	Inlet in black

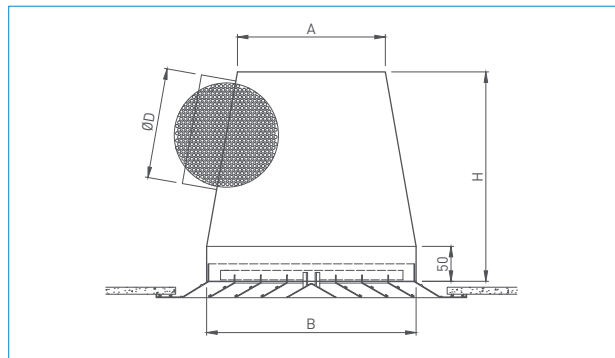
DRAWING
DP121P



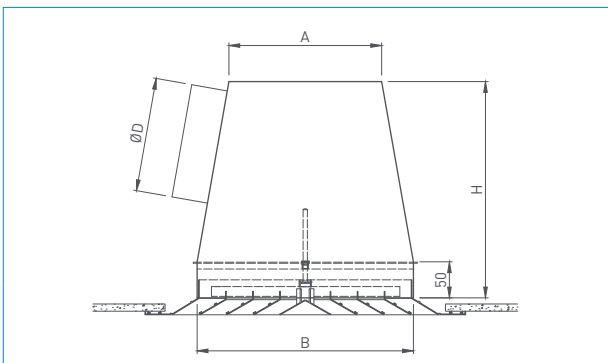
FIXING METHOD
DP100P



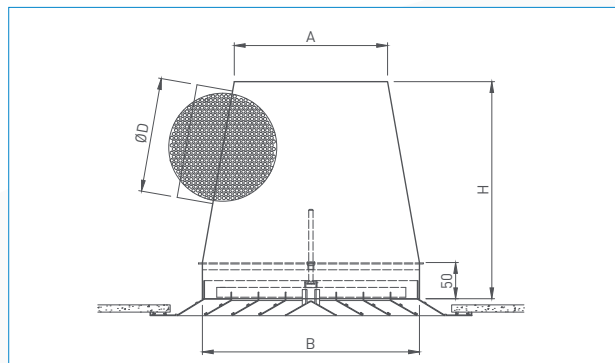
DP101P



DP120P



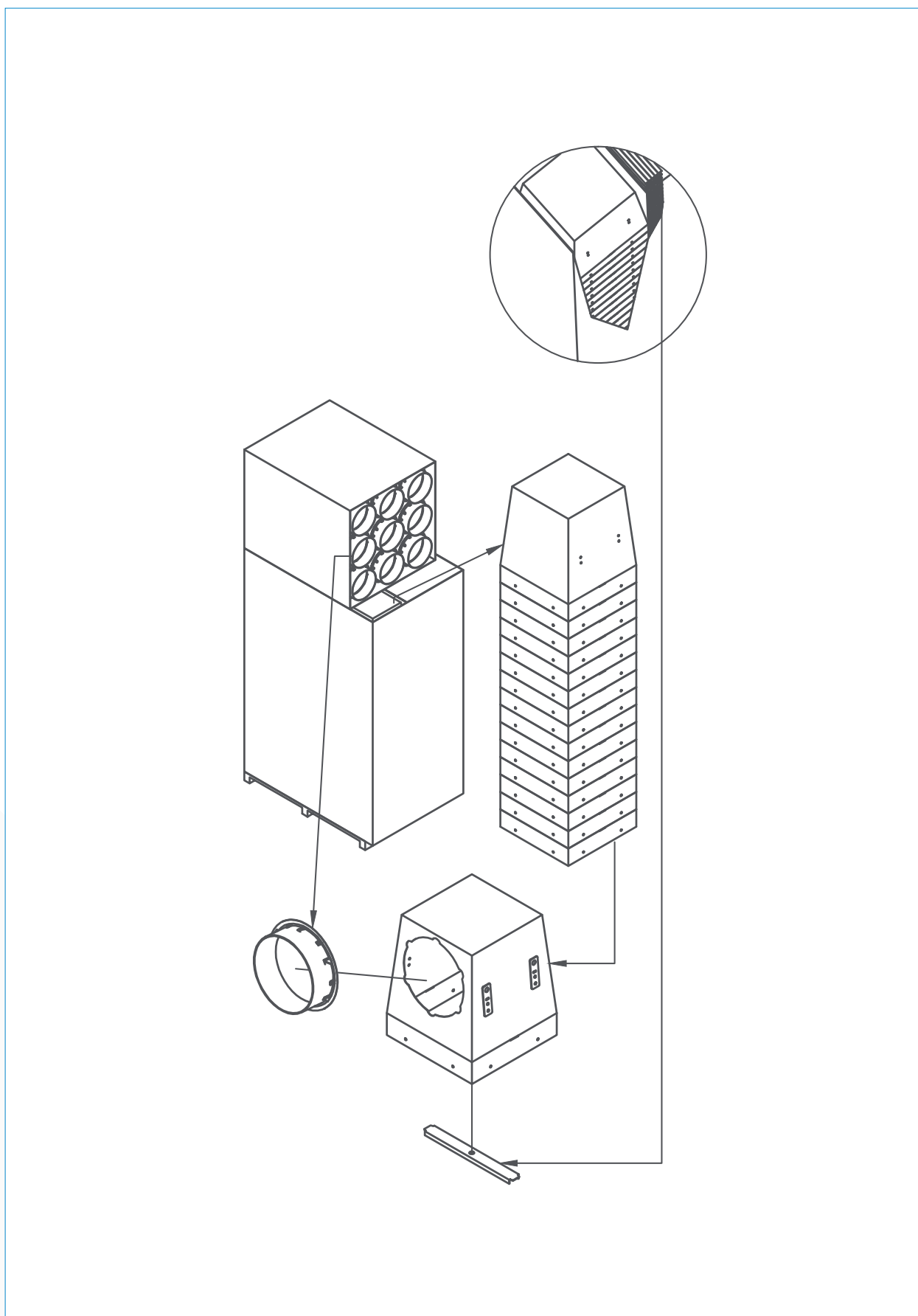
DP121P



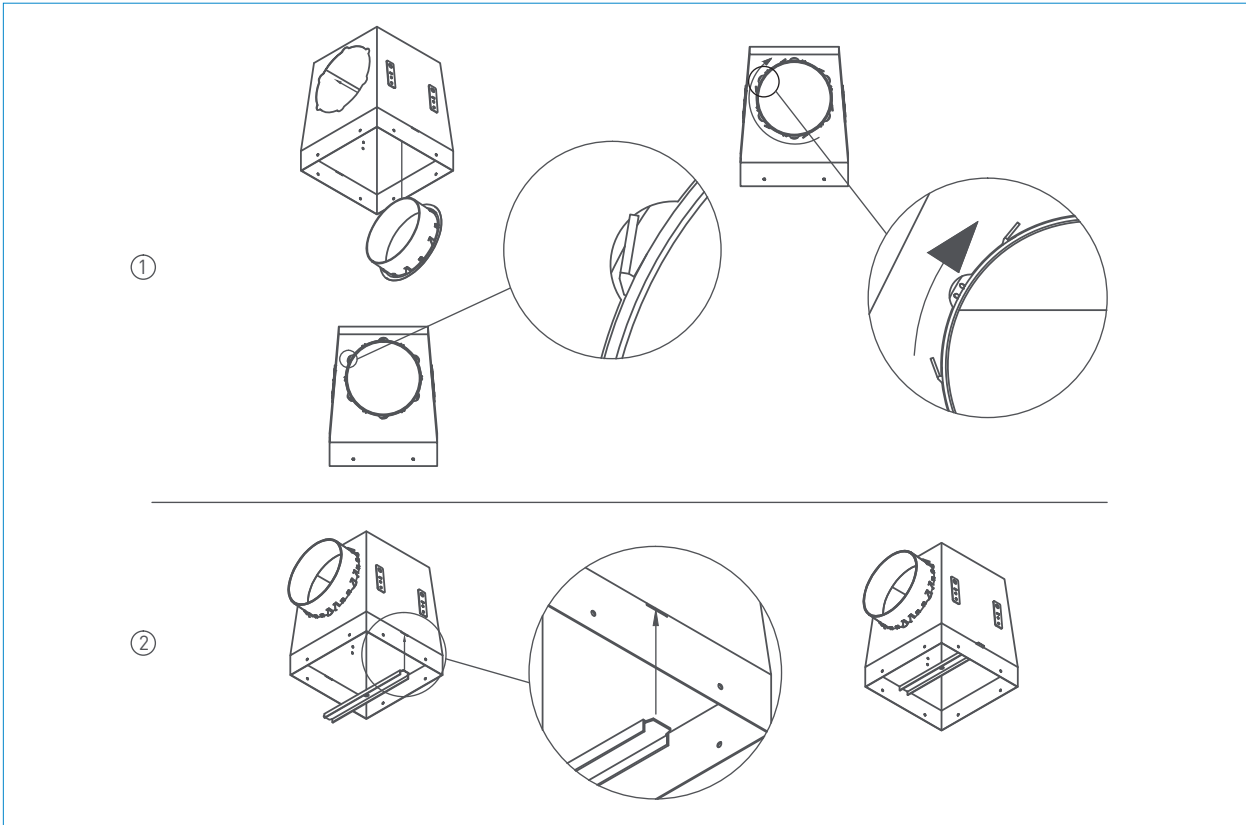
DIMENSIONS

SIZE in mm	A	B	D	H
150	124	150	100	200
225	186	225	160	275
250	211	250	160	275
300	212	300	200	300
375	231	375	250	375
400	256	400	250	375
450	295	450	315	400
470	282	470	315	400

TRANSPORT AND PACKING DETAILS
DP120P



MOUNTING INSTRUCTIONS AND INSTRUCTIONS FOR USE
DP120P



HOW TO ORDER

D	P	1	0	0	P	G		0	2	0	0		0	5	9	4
---	---	---	---	---	---	---	--	---	---	---	---	--	---	---	---	---

