

Airtight shutoff damper



DESCRIPTION

Galvanised round shutoff damper with manual control handle. The damper blade has rubber gaskets allowing it to shut the ductwork airtight. The position of the damper blade (0-90°) can be read on the control handle. The damper blade position can be fixed with a screw on the control handle. The casing airtightness meets class C according EN1751, damper blade air leakage meets class 4 according EN1751. Both flange connections are fitted with EPDM gaskets.

Airtight blade: Class 4 EN1751
 Airtight casing: Class C EN1751
 Galvanised steel sheet

PRODUCT KEY

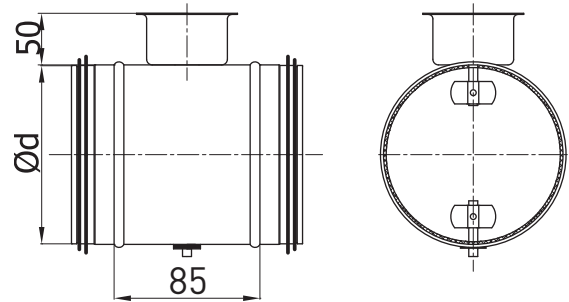
KRS00H - 200

type _____
 $\varnothing d_1$ _____

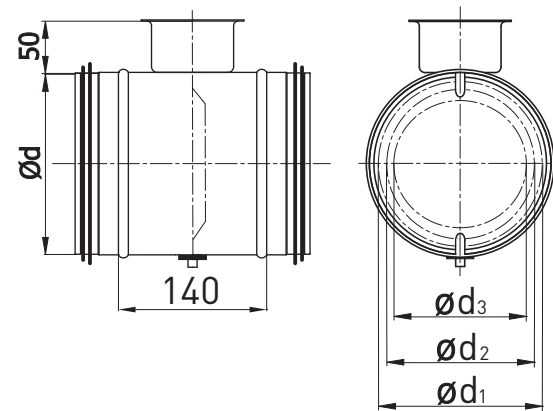
KRS00H — airtight shutoff damper with gaskets at flanged ends

DIMENSIONS

For $d_1 < 355$, the damper closure pivot is mounted on two short rods.



For $d_1 \geq 355$, the damper closure pivot is mounted on a single long bar.



$\varnothing d_{nom}$ (mm)	$\varnothing d_{1nom}$ (mm)	$\varnothing d_{2nom}$ (mm)	$\varnothing d_{3nom}$ (mm)	Weight (kg)
100	-	-	-	0.45
125	-	-	-	0.55
160	-	-	-	0.70
200	-	-	-	0.80
250	-	-	-	1.20
315	-	-	-	1.60
355*	330	295	295	2.70
400*	330	295	295	3.30
450*	370	337	293	4.50
500*	370	337	293	5.00
560*	490	457	413	6.30
630*	490	457	413	7.20

* with a damper closure & pivot bracing